

# VaporGuard™

## Oil Mist Adapter

Trap oil mist from lubricated gearboxes and bearing housings.



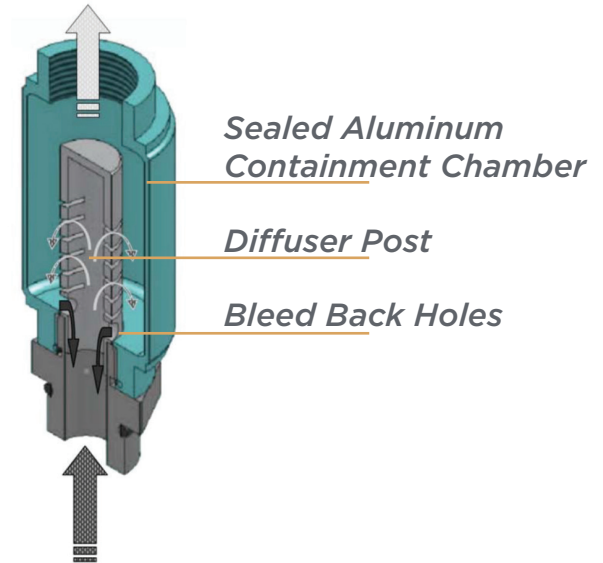
# THE OVERVIEW

## The Key Benefits

- Traps oil mist from lubricated gearboxes and bearing housings before it can damage your desiccant breather
- Saves oil that would normally be lost through the vent port by capturing and diverting it back to the equipment

## Solving the Problem

- VaporGuard™ is threaded directly into the female vent port
- Migrating vapors are contained inside the VaporGuard
- The air, purged of oil mist by VaporGuard, exits through the vent port
- The condensed oil mist inside VaporGuard is returned to the bearing housing to continue lubricating the bearing
- The complete diffuser post assembly can be easily removed from the oil mist adapter, inspected, cleaned and reinstalled for continued vapor control



### Material:

- Gold Anodized Aluminum 6061-T6511
- Aluminum 6061-T6511
- Zinc Plated Steel
- Buna-N

## VaporGuard™ Configuration

To Order:

<b>DC-OVG</b>	BOX 1	BOX 2	BOX 3	BOX 4
---------------	-------	-------	-------	-------

[Box 1]

### VaporGuard™ Length

Code	Description
6200	Single - 4.75" (120.65mm)
6220	Double - 6.75" (171.45mm)

[Box 2]

### Equipment Threaded Mount Size

Code	Description
38	3/8" NPT
50	1/2" NPT
75	3/4" NPT
10	1" NPT
125	1-1/4" NPT

NOTE: All connectors are bottom male ends

[Box 3]

### Breather Connection Port/ Size

Code	Description
38	3/8"
00	1"

NOTE: All threaded female top ports

[Box 4]

### Breather

Code	Description
BB	DC-BB
01	DC-1
VB	DC-VG-BB
V1	DC-VG-1
H1	DC-HG-1
02	DC-2
03	DC-3
04	DC-4
V2	DC-VG-2
V3	DC-VG-3
V4	DC-VG-4
H8	DC-HG-8
E1	DC-EX-1
E2	DC-EX-2
E3	DC-EX-3
E4	DC-EX-4
X6	DC-XD-6
ND35	DC-ND-35

NOTE: If breather is not needed, leave blank  
NOTE: All female breathers include appropriate standard adapter

Ex:

Part code for double length OVG with 3/8" NPT Bottom and 1" NPT Top is DC-OVG-6220-3800

