

### The Oil Sample. Where Oil Analysis Begins

Most of gearbox manufacturers recognize the value of clean oil and specify oil cleanliness levels in their warranty. Few however pre-install the fittings and attachments needed for drawing reliable oil samples. To ensure safe and consistent oil sampling procedures, its the job of the end user or the after market service provider to install these fittings and attachments in the field.

### Industry Leading OILMISER™ Technology

The features that sets the **OILMISER™** Sampling Tube apart from the conventional oil sampling tube is our exclusive 3 piece design. This gives the installer unparalleled flexibility to chose the best location for the safety and convenience of the service technician. A job that is easier to do, is a job that gets done well and on schedule.

1. The gland bushing is designed to fit directly into a pipe port on the gearbox ranging from ¼" NPT to 2" NPT, or into an SAE O'ring port from Dash-6 to Dash-24.
2. The removable stainless steel pitot tube, has a full ¼" I.D. and is suitable for the heaviest gear oils.
3. The pitot tube retaining gland has a ¼" NPT female pipe port for a Lo-Viscosity sampling valve used with lighter lubricating oils, or a Hi-Viscosity sampling valve used with heavier gear oils.



### Installing the OILMISER™ Sampling Tube



The wide range of **OILMISER™** gland bushing sizes means that a sampling valve can be installed directly into a pipe port without using additional pipe reducer bushings often required with conventional pitot tubes. In addition to reducing the installation time, it also eliminates potential oil leaks.

Metal to metal contact between the gland bushing and the sealed tube retainer gland means that the final position of the sampling valve can be predetermined prior to installation. This is an important feature, when considering the safety and convenience of the service technician who draws the oil sample.



The optional 90 degree by 360° swivel adds even greater flexibility to the final orientation of the sampling valve whenever accessibility is the concern.



**The more Standardized your Procedures**

**The More Reliable your Results**

OILMISER™ Sampling Tubes	
All OILMISER™ Sampling Tubes have a ¼" NPT female inline end port. Sampling valves are ordered separately	
OST-02512	¼" NPT male pipe with 12 inch sampling tube and ¼" NPT female inline end port
OST-03812	¾" NPT male pipe with 12 inch sampling tube and ¼" NPT female inline end port
OST-05012	½" NPT male pipe with 12 inch sampling tube and ¼" NPT female inline end port
OST-07512	¾" NPT male pipe with 12 inch sampling tube and ¼" NPT female inline end port
OST-10012	1" NPT male pipe with 12 inch sampling tube and ¼" NPT female inline end port
OST-12512	1¼" NPT male pipe with 12 inch sampling tube and ¼" NPT female inline end port
OST-15012	1½" NPT male pipe with 12 inch sampling tube and ¼" NPT female inline end port
OST-20012	2" NPT male pipe with 12 inch sampling tube and ¼" NPT female inline end port
All OILMISER™ Sampling Tubes can be ordered as complete assemblies and specified in the part number	
OST-05024-MB25	½" male pipe with a 24 inch sampling tube and the SV-MB25 Low Viscosity Sampling Valve
OST-15036-S90-HF25	1½" NPT male pipe, a 36" sampling tube, the 90° by 360° Swivel, and the SV-HF25 Hi-Vis Sampling Valve

Whether you're sampling hydraulic oil using a Minimes Series B sampling valve and a Vacuum Pump, or sampling VG-460 gear oil using a Hi-Flow / Hi-Viscosity sampling valve and a Vacuum Pump, drawing that oil sample will be easier, safer and faster, using the industry leading, **OILMISER™** Sampling Tube.



OILMISER™ Sampling Tube Accessories	
SV-MB25	Low-Viscosity (Minimes Series B) Sampling Valve with tethered cap and ¼" NPT male pipe connection. Used for active Pressure Line oil sampling or manual Vacuum Pump oil sampling on Low-Viscosity oils.
SP-MB25	Sampling Probe. Female connector for SV-MB25 sampling valve with barbed spigot for ¼" OD by .170" ID Poly sampling tube. Use with manual Vacuum Pump. Tubing not included.
SV-HF25	Hi-Viscosity / Hi-Flow Sampling Valve with tethered cap and ¼" NPT male pipe connection. Use for oil sampling on Hi-Viscosity gear oils with a manual Vacuum Pump
SP-HF25	Sampling Probe. Female connector for SV-HF25 sampling valve with barbed spigot for ¼" OD by .170" ID Poly sampling tube. Use with manual Vacuum Pump. Tubing not included.
VP-SP38	Manual Vacuum Pump. Hand held vacuum pump for drawing oil samples. Accepts ¼" OD by .170" ID sampling tube and fits standard 38mm thread sample bottles. Includes 1 bottle only.

**OILMISER™ 3 Piece Sampling Tubes**

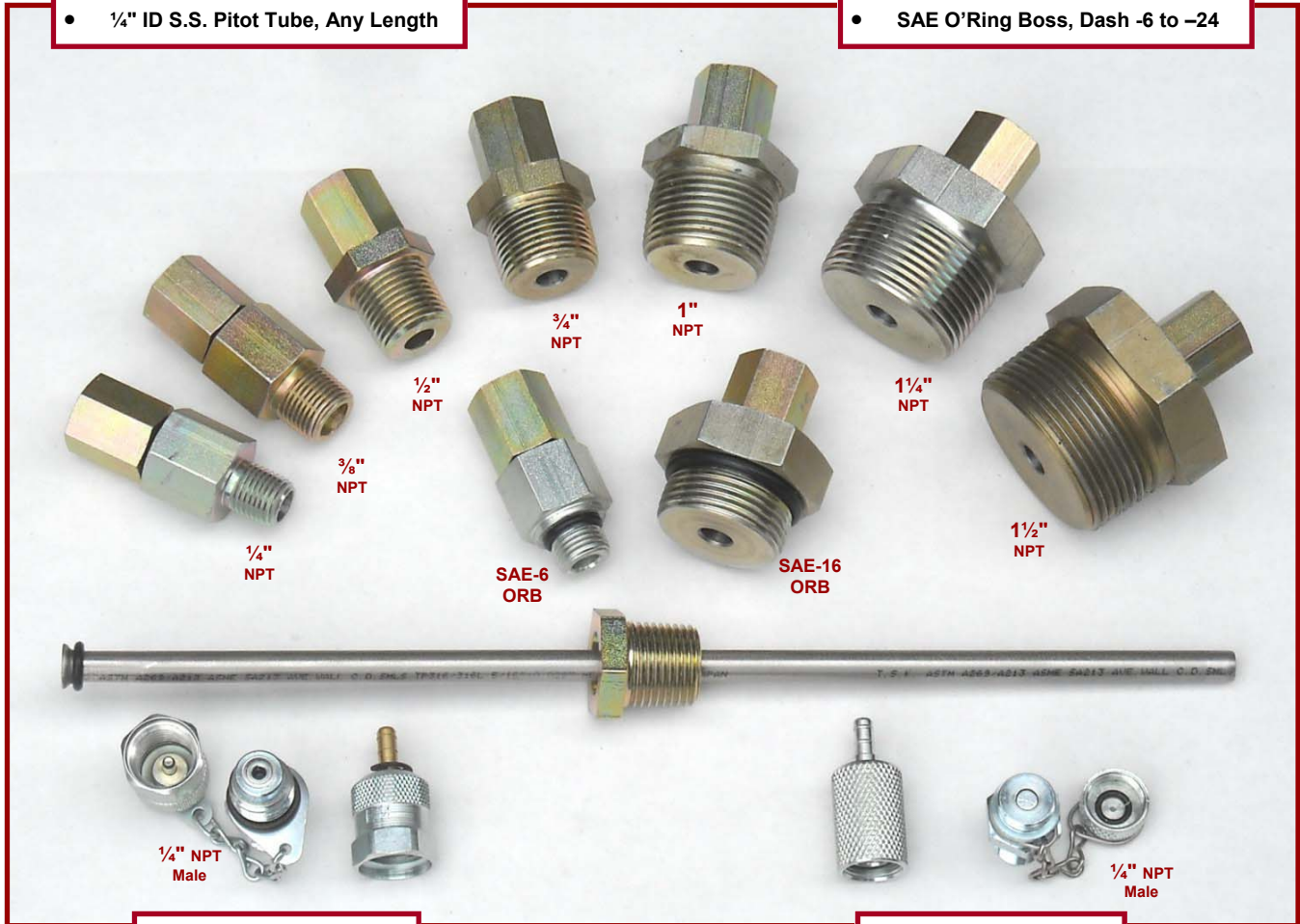
- More Choice
- More Flexibility
- More Standardization

**OILMISER™ 3 Piece Sampling Tubes**

- No bushings, fewer leak points
- ¼" ID S.S. Pitot Tube, Any Length

**OILMISER™ 3 Piece Sampling Tubes**

- Standard Pipe, ¼" NPT to 1½" NPT
- SAE O'Ring Boss, Dash -6 to -24



**Hi Pressure / Lo-Viscosity  
OIL Sampling  
SV-MB25 / SP-MB25**

**Hi-Flow / Hi Viscosity  
(Gearbox) OIL Sampling  
SP-HF25 / SV-HF25**

OILMISER™ Sampling Tube - OST-02512



**OILMISER™ Sampling Tubes**  
**What sets us Apart from the Others ?**  
**Unequaled Flexibility!**

The unique three piece design of OILMISER™ Sampling Tubes gives greater flexibility in the work place.

Unlike conventional brazed pitot tubes, this 3 piece design permits the pitot tube to be pre-bent before installation. Then, using our Tube Orientation Tool (TOT) it can be positioned inside the gearbox or reservoir with accuracy and confidence.

The three separate pieces include:

1. A gland-seal bushing (GSB)
2. A gland-seal tube retainer (GTR)
3. A stainless steel pitot tube (SST)

Gland-seal bushings (GSB) are available in male pipe sizes from 1/4" NPT to 1 1/4" NPT. Now, the most convenient access port on a gearbox or reservoir can be used for oil sampling. Installation is faster, and potential leak points avoided, whenever pipe bushings are not required.

A full 1/4" inside bore pitot tube, 4 times the industry standard, means that 1/4 the effort is required when drawing oil samples using a hand held vacuum pump.

Sampling valves are ordered separately, standard minimess Series B Test Points for hydraulic oil and lighter lube oils, or High Viscosity Test Points for heavier lube oils.

Insert Pitot Tube into GSB



Fully Assemble the OST



Position a Tube Bender on the Assembly



Bend the Pitot Tube & Disassemble



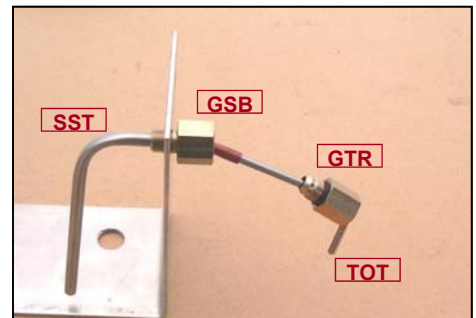
Slide the GTR onto the TOT



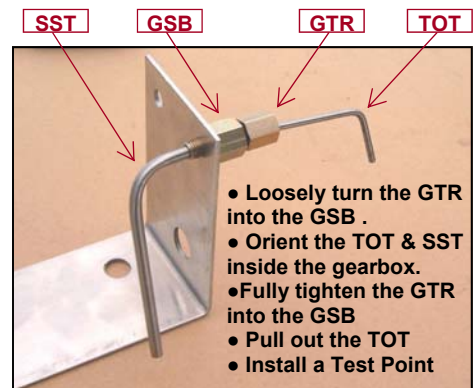
Press the TOT into the pitot tube



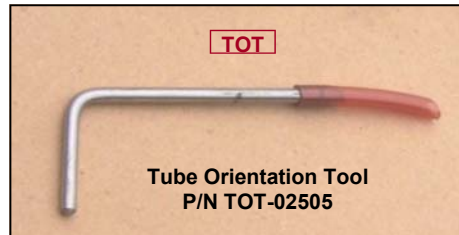
Align the TOT with the bent tube



Feed the SST & GSB into the gearbox port  
 Fully tighten the GSB into the gearbox

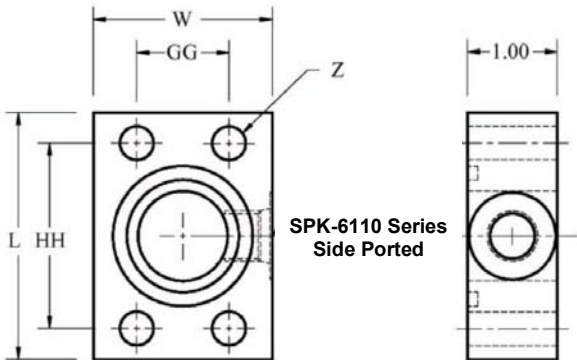


TOT



Tube Orientation Tool  
 P/N TOT-02505

**OILMISER™ 6100 Series Oil Sampling Sandwich Plates for SAE 4 Bolt Flanges**



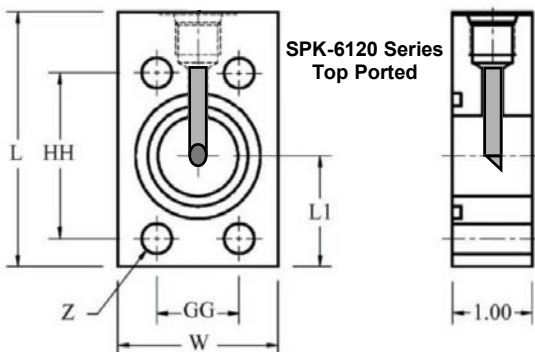
Code 61 Part No.	Flange Size	Z	GG	HH	W	L
SPK-6110-12	3/4"	13/32	0.875	1.875	1.75	2.63
SPK-6110-16	1.00"	13/32	1.031	2.062	2.00	2.81
SPK-6110-20	1.25"	15/32	1.188	2.312	2.50	3.13
SPK-6110-24	1.50"	17/32	1.406	2.750	3.00	3.69
SPK-6110-32	2.00"	17/32	1.688	3.062	3.50	4.00
SPK-6110-40	2.50"	17/32	2.000	3.500	4.00	4.50
SPK-6110-48	3.00"	21/32	2.438	4.188	5.00	5.31



SPK-6100 Series O'Ring & Bolt Kit Specifications						
SPK-12	SPK-16	SPK-20	SPK-24	SPK-32	SPK-40	SPK-48
3/8-16 x 2 1/2"	3/8-16 x 2 3/4"	7/16-14 x 2 3/4"	1/2-13 x 3"	1/2-13 x 3"	1/2-13 x 3 1/2"	5/8-11 x 3 3/4"
N1470-214	N1470-219	N1470-222	N1470-225	N1470-228	N1470-232	N1470-237



- A Standard SPK 6100 Kit Includes the O'Ring, 4 Socket Head Cap Screws, and a 1/4" NPT (female) Pipe Port for the sampling valve
- Order the Oil Sampling valves separately. i.e. # SV-MB25
- For the 360° Swivel Adaptor add **-S90** to part number
- When ordered with the mid stream pitot tube option the sampling valve is included. i.e. SPK-6120-16 STMB25 (1" Code 61)



Code 61 Part No.	Flange Size	Z	GG	HH	W	L	L1
SPK-6120-12	3/4"	13/32	0.875	1.875	1.75	3.13	1.28
SPK-6120-16	1.00"	13/32	1.031	2.062	2.00	3.19	1.38
SPK-6120-20	1.25"	15/32	1.188	2.312	2.50	3.50	1.56
SPK-6120-24	1.50"	17/32	1.406	2.750	3.00	3.69	1.84
SPK-6120-32	2.00"	17/32	1.688	3.062	3.50	4.00	2.00
SPK-6120-12-STMB25	Sandwich Plate c/w SSt. Pitot Tube & Mininess Sample Valve						
SPK-6120-16-STMB25	Sandwich Plate c/w SSt. Pitot Tube & Mininess Sample Valve						
SPK-6120-20-STMB25	Sandwich Plate c/w SSt. Pitot Tube & Mininess Sample Valve						
SPK-6120-24-STMB25	Sandwich Plate c/w SSt. Pitot Tube & Mininess Sample Valve						
SPK-6120-32-STMB25	Sandwich Plate c/w SSt. Pitot Tube & Mininess Sample Valve						

- All SPK-STMB25 Kits use the OILMISER™ 3 piece pitot tube principal.
- The OILMISER™ TOT-05025 is used to extract or position the pitot tube